

PDH Switches

Switching Technology S38.165
<http://www.netlab.hut.fi/opetus/s38165>

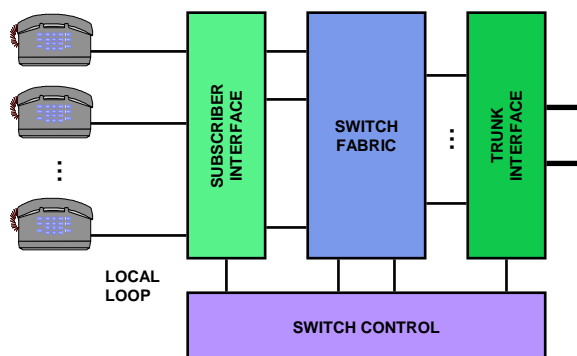
PDH switches

- General structure of a telecom exchange
- Timing and synchronization
- Dimensioning example

PDH exchange

- Digital telephone exchanges are called SPC (Stored Program Control) exchanges
 - controlled by software, which is stored in a computer or a group of computers (microprocessors)
 - programs contain the actual intelligence to perform control functions
 - software divided into well-defined modular blocks, which makes the system less complicated to maintain and expand
- Main building blocks
 - subscriber interfaces and trunk interfaces
 - switch fabric
 - switch/call control

Basic blocks of a PDH exchange



Switch control

- **Centralized**

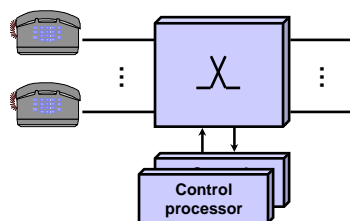
- all control actions needed to set up/tear down a connection are executed in a central processing unit
- processing-work normally shared by a number of processors
- hierarchical or non-hierarchical processor architecture

- **Distributed**

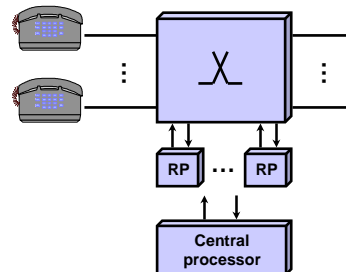
- control functions are shared by a number of processing units that are more or less independent of one another
- switching device divided into a number of switching parts and each of them has a control processor

Switch control (cont.)

Centralized non-hierarchical processor system



Centralized hierarchical processor system

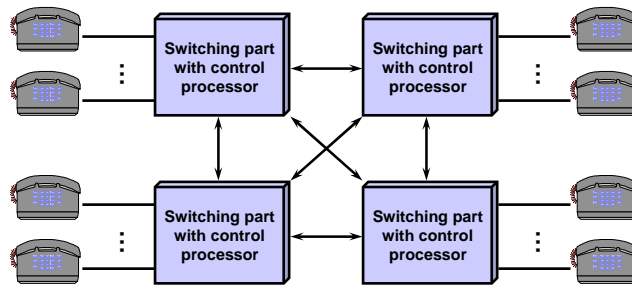


Control units usually doubled or tripled

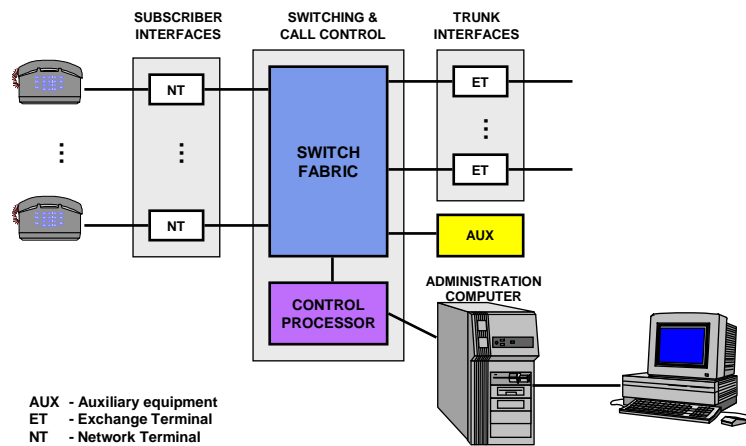
RP - Regional Processor

Switch control (cont.)

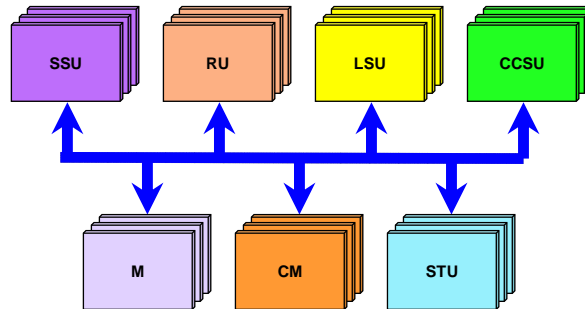
Distributed control with independent switching parts



Example construction of a PDH exchange



Example of call control processing



CCSU - Common Channel Signaling Unit
CM - Central Memory
LSU - Line Signaling Unit
M - Marker

RU - Registering Unit
SSU - Subscriber Stage Unit
STU - Statistics Unit

DX200 / Nokia

Call processing units

- **Common Channel Signaling Unit (CCSU)**
 - processes SS7 signaling messages
- **Central Memory (CM)**
 - common central memory of the different control units
- **Line Signaling unit (LSU)**
 - processes line signaling information
- **Marker (M)**
 - connection (channel) control
- **Register Unit (RU)**
 - registers for information such as call/customer related billing
- **Subscriber Stage Unit (SSU)**
 - subscriber stage control (incl. subscriber signaling)
- **Statistics Unit (STU)**
 - statistical information such as call durations and outage periods

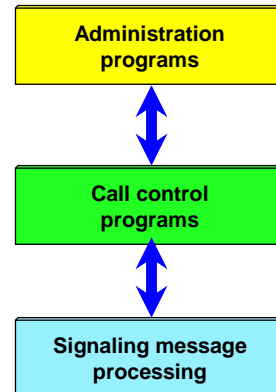
Hierarchical control software

Software systems in the control part:

- signaling and call control
- charging and statistics
- maintenance software

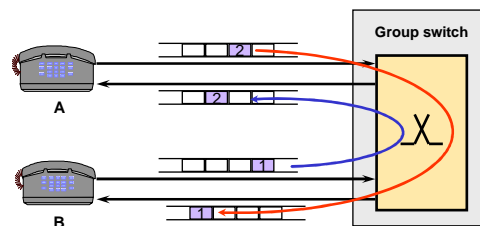
Control of connections:

- calls should not be directed to faulty destinations
- faulty connections should be cleared
- detected faulty connections must be reported to far-end if possible



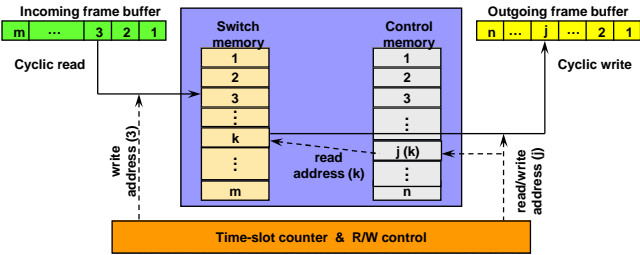
Switching part

- Main task of a switching part is to connect an incoming time-slot to an outgoing one – unit responsible for this function is called a group switch
- Control system assigns incoming and outgoing time-slot, which are reserved by signaling, on associated physical links
=> need for time and space switching

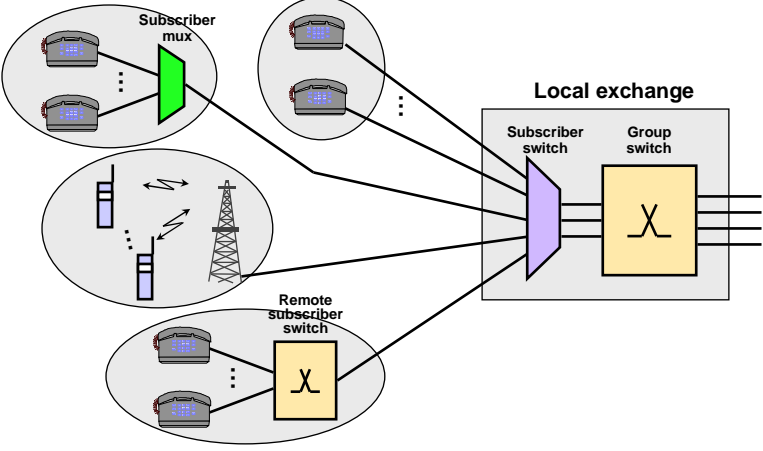


Group switch implementations

- Group switch can be based on a space or time switch fabric
- Memory based time switch fabrics are the most common ones
 - flexible construction
 - due to advances in IC technology suitable also for large switch fabrics



Subscriber connections



Typical subscriber connections and trunk lines

- **Subscriber connections**

- conventional twisted pair serving, e.g., an analog 3 kHz voice channel or 2B+D digital ISDN connection
- radio link serving, e.g., an analog voice channel (NMT) or a digital GSM voice/data channel
- E1, ..., E3 links connecting business users with a number of voice channels

- **Trunk lines**

- standard PDH links (E1, ..., E4)
- standard SDH links (STM-1, ..., STM-16) carrying standard PDH/PCM signals
- new technology approaching, e.g. OTN and 1 Gbit/s Ethernet

Subscriber and trunk interface

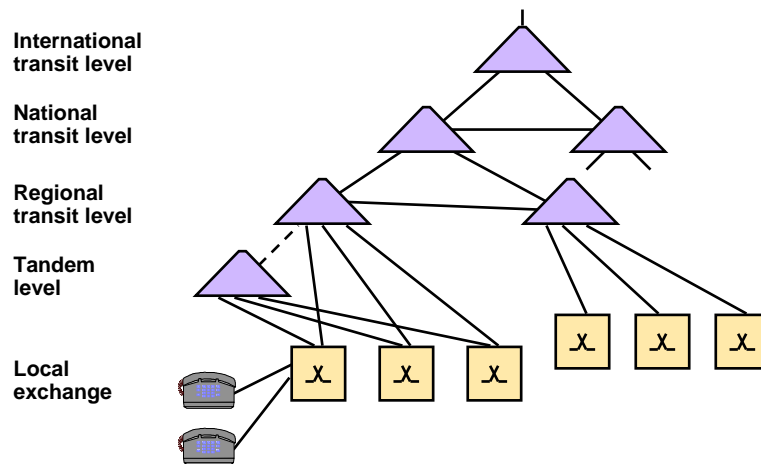
- **Subscriber interface**

- on-hook/off-hook detection, reception of dialed digits
- check of subscriber line, power supply for subscriber line
- physical signal reception/transmission, A/D-conversion
- concentration

- **Trunk interface**

- timing and synchronization (bit and octet level) to line/clock signal coming from an exchange of higher level of hierarchy
- frame alignment/frame generation
- multiplexing/demultiplexing

Example of telephone network hierarchy



Intelligent network

- Conventional telecommunications network supports plain circuit switching allowing only point to point connectivity
- Intelligence of a telecommunications network can be enhanced by implementing Intelligent Network (IN) architecture for service development, control and management
- IN allows for an operator to offer enriched services, such as call diversion on no answer or on busy, multi-party conference or abbreviated dialing
- IN is a telecommunications network architecture, which offers open, distributed and service independent platform for implementing supplementary services in a telecom network

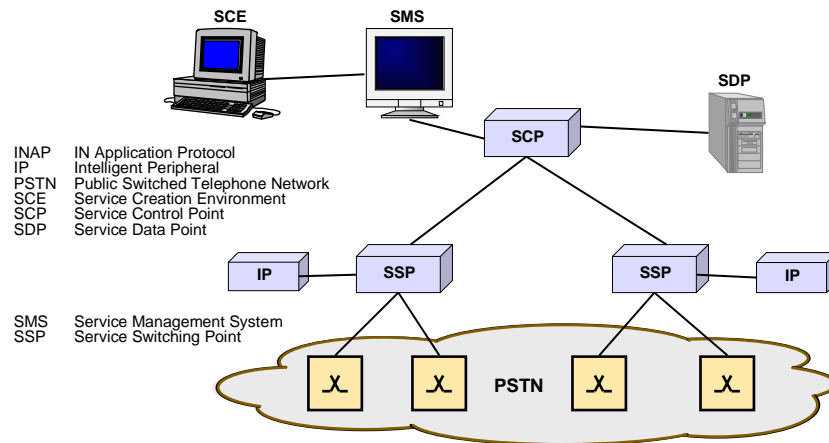
IN network functions and elements

- IN concept separates service control function (SCF) logically from service switching function (SSF) and from call control (CCF) and switching functions
- Service Control Point (SCP), which implements SCF, is a centrally located node that contains logic and data for IN services
- SCP receives requests from SSP, executes services requested and returns information to SSP
- Service Switching Point (SSP), which implements SSF, is a node that detects calls to IN service
- SSP communicates with SCP to obtain information on how to set up connections related to an IN call

IN network functions and elements

- SSP and SCP communicate via Signaling Transfer Point (STP), which usually is the common channel signaling network
- Service Management System (SMS) is an administrative support system for the development and handling of new services in the telephone network
- Intelligent Peripheral (IP) is used for some value-added services to enable communication between the IN functions and subscriber, e.g., reception of DTFM signals and transmission of voice messages.
- IP is activated by SSP at the request of SCP

Intelligent network architecture



IN service creation

- Logical separation of service control functions from call control and switching functions allows such service implementations that would be complicated and would consume excessively network resources if they were implemented in switching equipment
- Service Creation Environment (SCE) is used for service development and SMS is used for injecting the new services into SCP
- IN services are built up of small modules, Service Building Blocks (SIBs), which have well defined interfaces
- SIBs are presented as graphical symbols, which are interconnected in the desired way to build up the logic of a service - result is a script
- A script can be the logic of a complete service, but a service usually consists of several scripts

Network synchronization

Need for synchronization

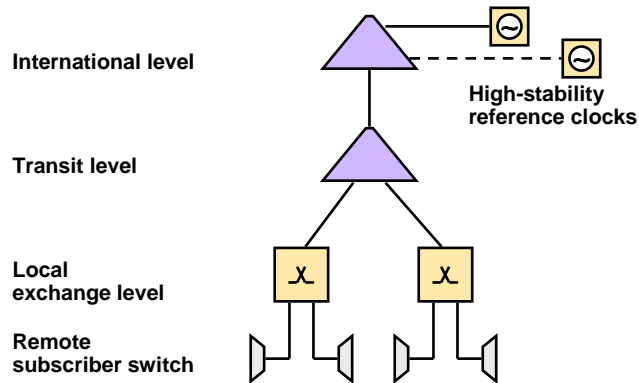
- Today's digital telecom networks are combination of PDH and SDH technologies, i.e. TDM and TDMA utilized
- These techniques require that time and timing in the network can be controlled, e.g., when traffic is added to or dropped from a bit stream in an optical fiber or to/from a radio-transmitted signal
- The purpose of network synchronization is to enable the network nodes to operate with the same frequency stability and/or absolute time
- Network synchronism is normally obtained by applying the **master-slave timing principle**

Network synchronization (cont.)

Methods for network synchronization

- Distribute the clock over special synchronization links
 - offers best integrity, independent of technological development and architecture of the network
- Distribute the clock by utilizing traffic links
 - most frequently used (master-slave network superimposed on the traffic network)
- Use an independent clock in each node
 - expensive method, but standard solution in international exchanges
- Use an international navigation system in each node
 - GPS (Global Positioning System) deployed increasingly
 - independent of technological development and architecture of network
- Combine some of the above methods

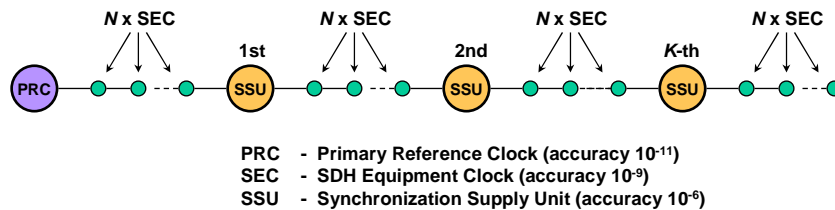
Master-slave synchronization over transport network



ITU-T Recommendations G.810, G.811, G.812, G.812, G.823

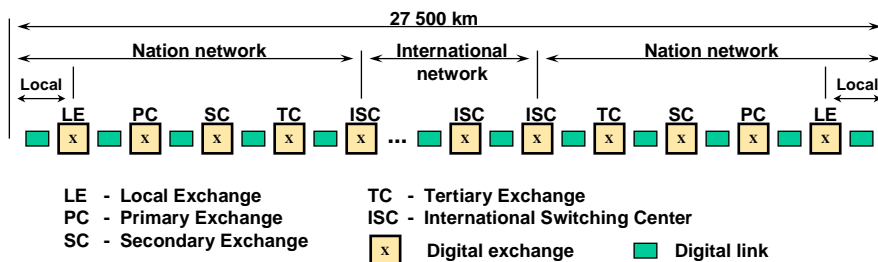
SDH synchronization network reference chain

- As the number of clocks in tandem increases, synchronization signal is increasingly degraded
- To maintain clock quality, it is important to specify limit to the number of cascaded clocks and set limit on degradation of the synchronization signal
- Reference chain consists of K SSUs each linked with N SECs
- Provisionally K and N have been set to be $K=10$ and $N=20$
- total number of SECs has been limited to 60



PDH synchronization reference connection

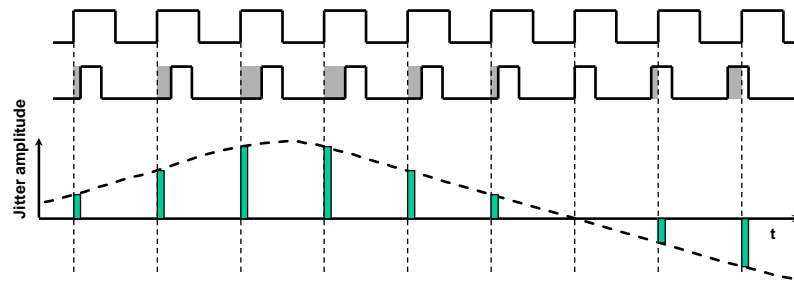
- End-to-end timing requirements are set for the reference connection
- Link timing errors are additive on the end-to-end connection
- By synchronizing the national network at both ends, timing errors can be reduced compared to totally plesiochronous (separate clock in each switch) operation
- International connections mostly plesiochronous



Types of timing variation

- **Frequency offset**
 - steady-state timing difference - causes buffer overflows
- **Periodic timing differences**
 - jitter (periodic variation > 10 Hz)
 - wander (periodic variation < 10 Hz)
- **Random frequency variation** caused by
 - electronic noise in phase-locked loops of timing devices and recovery systems
 - transients caused by switching from one clock source to another
- Timing variation causes
 - slips (= loss of a frame or duplication of a frame) in PDH systems
 - pointer adjustments in SDH systems => payload jitter
 - => data errors

Visualization of jitter and wander

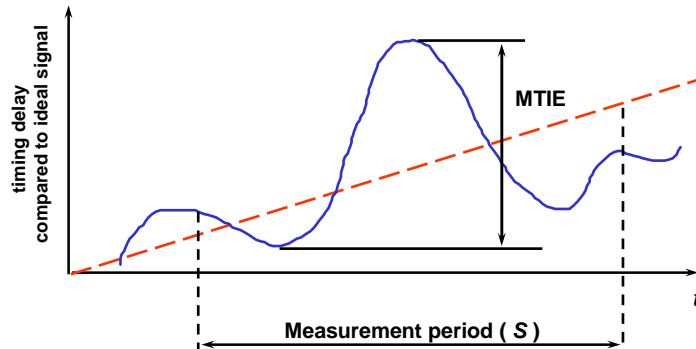


Timing variation measures

- **Time interval error (TIE)**
 - difference between the phase of a timing signal and phase of a reference (master clock) timing signal (given in ns)
- **Maximum time interval error (MTIE)**
 - maximum value of TIE during a measurement period
- **Maximum relative time interval error (MRTIE)**
 - underlying frequency offset subtracted from MTIE
- **Time deviation (TDEV)**
 - average standard deviation calculated from TIE for varying window sizes

Maximum time interval error

- Maximum of peak-to-peak difference in timing signal delay during a measurement period as compared to an ideal timing signal



MTIE limits for PRC, SSU and SEC

Clock source	MTIE	Observation interval
PRC	25 ns $0.3t$ ns 300 ns $0.01t$ ns	$0.1 < t < 83$ s $83 < t < 1000$ s $1000 < t < 30\,000$ s $t > 30\,000$ s
SSU	25 ns $10t$ ns 2000 ns $433t^{0.2} + 0.01t$ ns	$0.1 < t < 2.5$ s $2.5 < t < 200$ s $200 < t < 2\,000$ s $t > 2\,000$ s
SEC	250 ns $100t$ ns 2000 ns $433t^{0.2} + 0.01t$ ns	$0.1 < t < 2.5$ s $2.5 < t < 20$ s $20 < t < 2\,000$ s $t > 2\,000$ s

ETS 300 462-3

Occurrence of slips

- Slips occur on connections whose timing differs from the timing signal used by the exchange
- If both ends of a connection are internally synchronized to a PRC signal, theoretically slips occur no more frequently than once in 72 days
- In a **reference connection**, a slip occurs theoretically once in $72/12 = 6$ days or if national segments are synchronized once in $72/4 = 18$ days
- Slip requirement on an end-to-end connection is looser:

Average frequency of slips	Share of time during one year
≤ 5 slips / 24h	98.90 %
5 slips/ 24 h 30 slips/ 1h	< 1 %
≤ 10 slips / 1h	< 0.1 %

Slip calculation example

Show that two networks with single frame buffers and timed from separate PRCs would see a maximum slip rate of one slip every 72 days

Solution:

- Timing accuracy of a PRC clock is 10^{-11}
- Let the frequencies of the two ends be f_1 and f_2
- In the worst case, these frequencies deviate from the reference clock f_0 by $10^{-11} \times f_0$ and those deviations are to different directions
- Let the frequencies be $f_1 = (1 + 10^{-11}) f_0$ and $f_2 = (1 - 10^{-11}) f_0$
- Duration of bits in these networks are $T_1 = 1/f_1$ and $T_2 = 1/f_2$

Slip calculation example (cont.)

Solution (cont.):

- During one bit interval, the timing difference is $|T_1 - T_2|$ and after some N bits the difference exceeds a frame length of $125 \mu\text{s}$ and a slip occurs $\Rightarrow N|T_1 - T_2| = 125 \times 10^{-6}$
 $\Rightarrow N = 125 \times 10^{-6} / [|T_1 - T_2|] = 125 \times 10^{-6} / [|(1/f_1 - 1/f_2)|]$
- Inserting $f_1 = (1 + 10^{-11}) f_0$ and $f_2 = (1 - 10^{-11}) f_0$ into the above equation, we get $\Rightarrow N = 125 \times 10^{-6} f_0 (1 - 10^{-22}) / (2 \times 10^{-11}) = 62.5 \times 10^5 \times f_0$
- Multiplying N by the duration (T_b) of one bit, we get the time (T_{slip}) between slips
- In case of E1 links, $f_0 = 2.048 \times 10^6/\text{s}$ and $T_b = 488 \text{ ns}$. Dividing the obtained T_{slip} by 60 (s), then by 60 (min) and finally by 24 (h) we get the average time interval between successive slips to be 72.3 days

Synchronization of a switch

Synchronization sub-system in an exchange

- Supports both plesiochronous and slave mode
- Clock accuracy is chosen based on the location of the exchange in the synchronization hierarchy
 - accuracy decreases towards the leaves of the synchronization tree
- Synchronizes itself automatically to several PCM signals and chooses the most suitable of them (primary, secondary, etc.)
- Implements a timing control algorithm to eliminate
 - instantaneous timing differences caused by the transmission network (e.g. switchovers - automatic replacement of faulty equipment with redundant ones)
 - jitter
- Follows smoothly incoming synchronization signal

Synchronization of a switch (cont.)

Exchange follows the synchronization signal

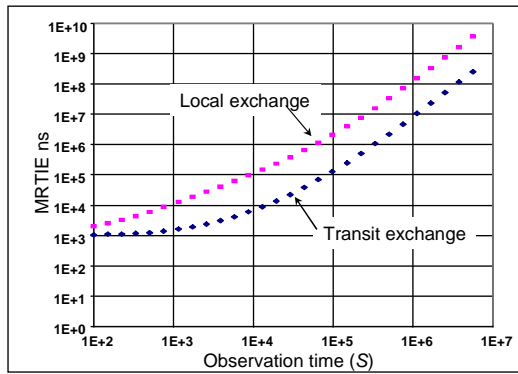
- Relative error used to set requirements
 - maximum relative time interval error $MRTIE \leq 1000 \text{ ns}$ ($S \geq 100\text{s}$)
- Requirement implies how well the exchange must follow the synchronization signal when the input is practically error free
- When none of the synchronization inputs is good enough, the exchange-clock automatically switches over to plesiochronous operation
- In plesiochronous mode $MRTIE \leq (aS + 0.5bS^2 + c) \text{ ns}$
- Timing system monitors all incoming clock signals and when a quality signal is detected, the system switches over back to slave mode (either manually by an operator command or automatically)

Stability of an exchange clock

- Clock stability is measured by aging (= b)
 - temperature stabilized aging in the order of $n \times 10^{-10}/\text{day}$
- $MRTIE \leq (aS + 0.5bS^2 + c) \text{ ns}$
 - S = measurement period
 - a = accuracy of the initial setting of the clock
 - b = clock stability (measured by aging)
 - c = constant

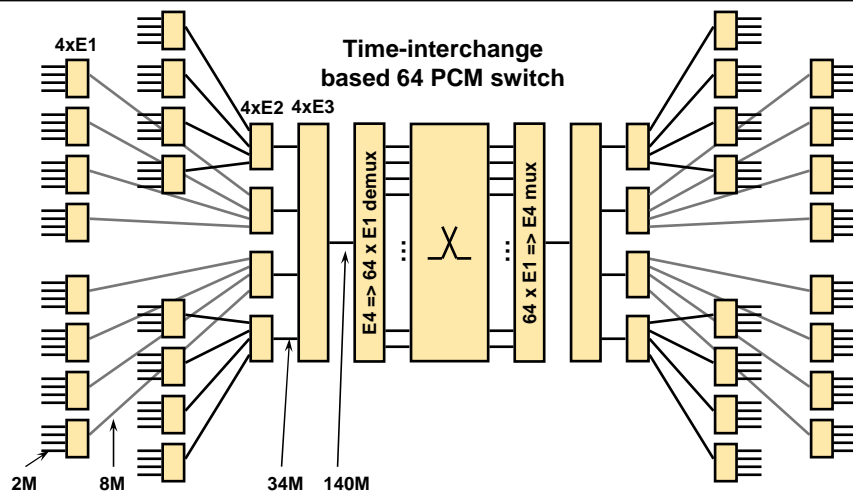
	Transit node clock	Local node clock
a	0.5 - corresponds to an initial frequency shift of 5×10^{-10}	10.0 - corresponds to an initial frequency shift of 1×10^{-8}
b	1.16×10^{-5} - corresponds to aging of $10^{-9}/\text{days}$	2.3×10^{-4} - corresponds to aging of 2×10^{-8}
c	1000	1000

MRTIE in an exchange (plesiochronous mode)



Duration of a time-slot in an E1 PCM-signal is 3.9 μ s and duration of a bit is 488 ns.

Example of SRAM based PDH switch fabric



Example of SRAM based PDH switch fabric (cont.)

Memory size and speed requirement:

- Switch memory (SM) and control memory (CM) are both single chip solutions
- Size of both SM and CM $\geq 64 \times 32$ octets = 2048 octets
- Number of SM write and read cycles during a frame interval (125 μ s) is $2 \times 64 \times 32 = 4096$
- Access cycle of SM should be $\leq 125 \mu\text{s} / 4096 = 30,5 \text{ ns}$
- Number of CM write and read cycles during a frame interval (125 μ s) is $1 \times 64 \times 32 = 2048$
- Access cycle of CM should be $\leq 125 \mu\text{s} / 2048 = 61 \text{ ns}$

PDH bit rates and related bit/octet times

Hierarchy level	Time-slot interval [ns]	Bit interval [ns]
E1/2M	3906	488
E2/8M	947	118
E3/34M	233	29
E4/140M	57.4	7.2

- When time-slots turn into parallel form (8 bits in parallel) memory speed requirement decreased by a factor of 8
- Present day memory technology enables up to 256 PDH E1 signals to be written to and read from a SRAM memory on wire speed

Properties of full matrix switches

Pros

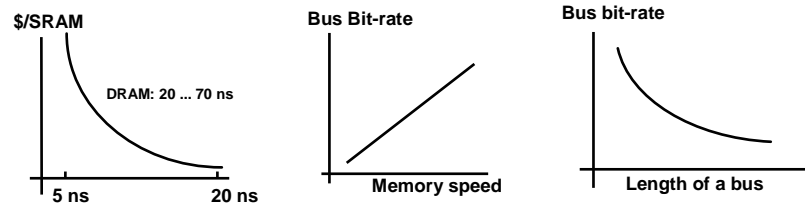
- strict-sense non-blocking
- no path search - a connection can always be written into the control memory if requested output is idle
- multi-cast capability
- constant delay
- multi-slot connections possible

Cons

- switch and control memory both increase in square of the number of input/outputs
- broadband - required memory speed may not be available

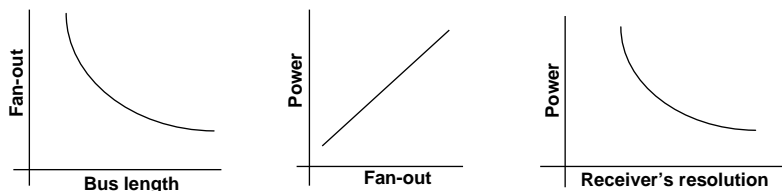
Make full use of available memory speed

- At the time of design, select components that
 - give adequate performance
 - will stay on the market long enough
 - are not too expensive (often price limits the use of the fastest components)
- To make full use of available memory speed, buses must be fast enough
- When increasing required memory speed, practical bus length decreases (proportional to inverse of speed)



Power consumption - avoid heating problem

- Power consumption of an output gate is a function of
 - inputs connected to it (increased number of inputs => increased power consumption)
 - bit rate/clock frequency (higher bit rate => increased power consumption)
 - bus length (long buses inside switch fabric => increased power consumption and decreased fan-out)
- Increase in power consumption => heating problem
- Power consumption and heating problem can be reduced, e.g. by using lower voltage components (higher resolution receivers)

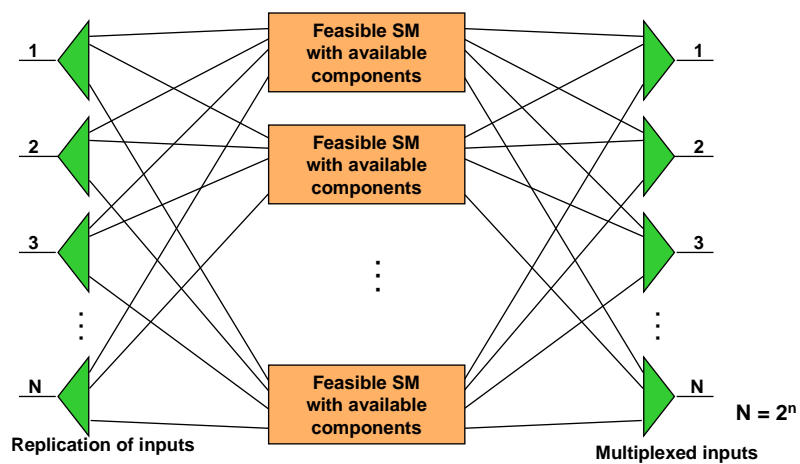


© P. Raatikainen

Switching Technology / 2004

L8 - 45

Logical structure of a full matrix switch

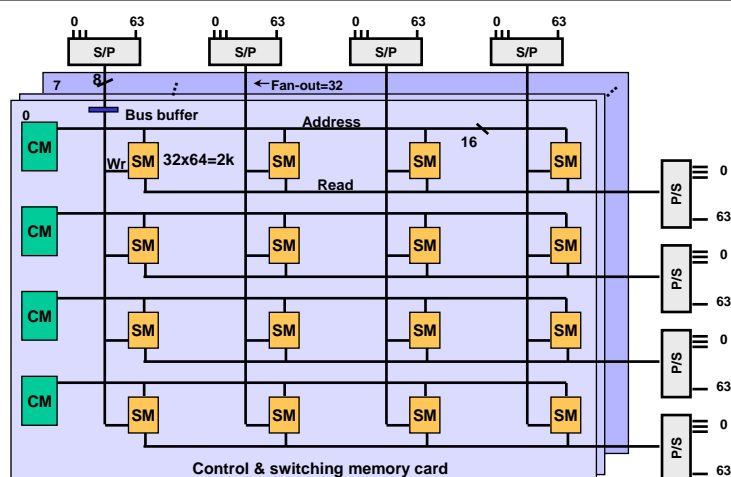


© P. Raatikainen

Switching Technology / 2004

L8 - 46

Example of a matrix switch (DX200)



Example of a matrix switch (cont.)

- **S/P** (Serial/Parallel conversion) - incoming time-slots are turned into parallel form to reduce the speed on internal buses
- **P/S** (Parallel/Serial conversion) - parallel form output signals converted back to serial form
- 64 PCM S/P-P/S pairs implemented on one card, which is practical because PCMs are bi-directional
- One switch block can serve max 4 S/P-P/S pairs - which is chosen based on required capacity (64, 128, 192 or 256 E1/PCMs)
- One S/P+P/S pair feeds max 8 parallel switch blocks - chosen based on the required capacity in the installation ($n * 256$ E1/PCM's)
- Max size of the example DX200-system fabric is 2048 E1/PCM's
- Currently, a bigger matrix (8K E1/PCM's) is available, slightly different SRAMs are needed, but principle is similar

Example of a matrix switch (cont.)

- A time-slot is forwarded from an S/P to all parallel switch blocks and (in each switch block) it is written to all SMs along the vertical bus
- A single time-slot replicated into max $4 \times 8 = 32$ locations
- Data in CMs directs storing of a time-slot in correct positions in SMs
- CM also includes data which directs reading of a correct time-slot to be forwarded to each output time-slot on each output E1 link
- CM includes a 16-bit pointer to a time-slot to be read
 - 2 bits of CM content point to an SM chip and
 - $5 + 6 = 11$ bits point to a memory location on an SM chip
 - remaining 3 bits point to (source) switch block

Example of a matrix switch (cont.)

- Number of time-slots to be switched during a frame (125 μ s):
 - $8 \times 4 \times 64 \times 32 = 65\,536$ time-slots (= 64 kbytes)
- Each time-slot stored in 4 SMs in each of the 8 switch blocks
=> max size of switch memory $8 \times 4 \times 65\,536 = 2\,097\,152$ (= 2 Mbytes)
- Every 32nd memory location is read from SM in a max size switch
=> average memory speed requirement < 31 ns (less than the worst case requirement 64×32 write and 64×32 read operations during a 125 μ s period)
- Control memory is composed of 4×4 control memory banks in each of the 8 switch blocks and each memory bank includes 2.048 kwords (word= 2 bytes) for write and 2.048 kwords for read control, i.e. max CM size is $8 \times 4 \times 4 \times 8 \text{ kbytes} = 1\,048\,576$ bytes (= 1 Mbytes)

Growth of matrix

